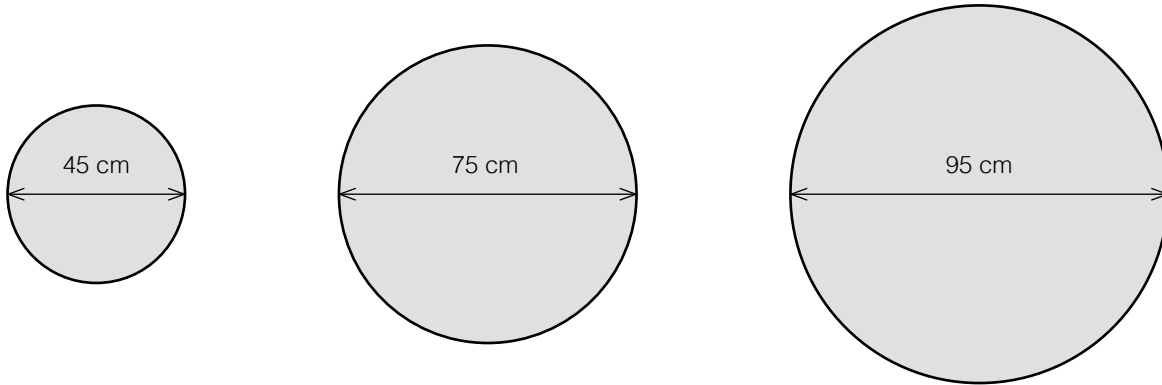


# Coffee table | Specifications

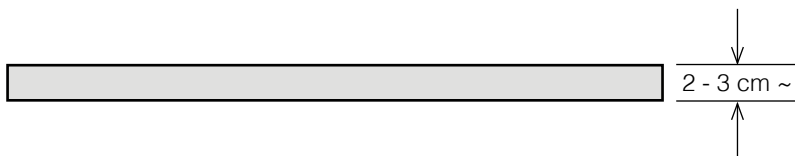
---

The scagliola table top comes in three standard sizes\*.

Diameter

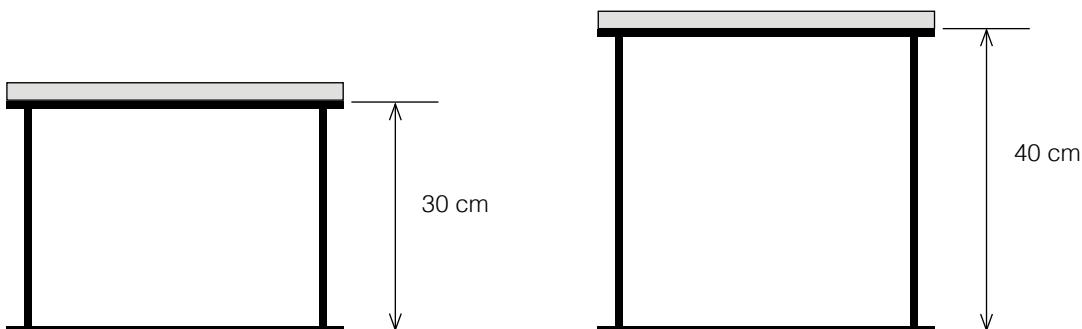


Thickness



The scagliola table tops can be purchased by themselves or together with a metal pedestal base which is available in two height options and four colour options.

Metal pedestal base height options



Colours options for the metal pedestal base



Brass

Iron

Black

White

\*The scagliola table tops can be customised in different sizes and shapes on request.